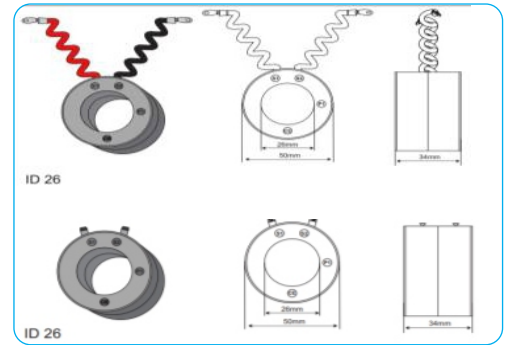


## Current Transformer

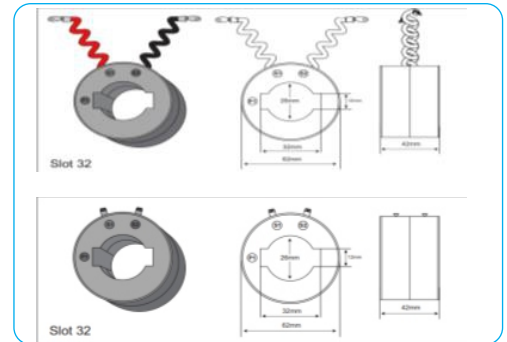
### Current Transformer - Ring type Moulded ID 26

CT Ratio Primary/Secondary/ Current	Dimension(MM)			Class 0.5	Class 1
	ID	OD	H	VA	VA
30/5	26	47	35	2.5	2.5
40/5	26	47	35	2.5	2.5
50/5	26	47	35	2.5	2.5
60/5	26	47	35	2.5	2.5
75/5	26	47	35	2.5	2.5
100/5	26	47	35	2.5	2.5
150/5	26	47	35	5	5
200/5	26	47	35	5	5
250/5	26	47	35	5	5
300/5	26	47	35	5	5
400/5	26	47	35	5	5



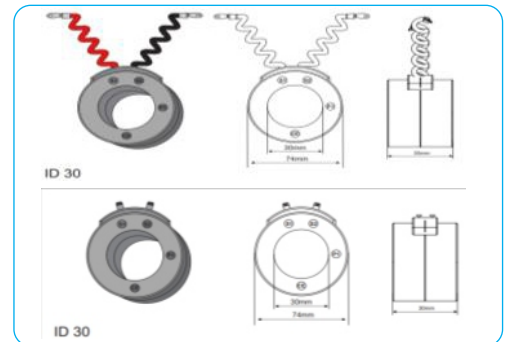
### Current Transformer - Ring type Moulded ID 32

CT Ratio Primary/Secondary/ Current	Dimension(MM)			Class 0.5	Class 1
	ID	OD	H	VA	VA
100/5	32 Slot	60	43	5	5
125/5	32 Slot	60	43	5	5
150/5	32 Slot	60	43	5	5
200/5	32 Slot	60	43	5	5
250/5	32 Slot	60	43	5	5
300/5	32 Slot	60	43	5	5
400/5	32 Slot	60	43	5	5



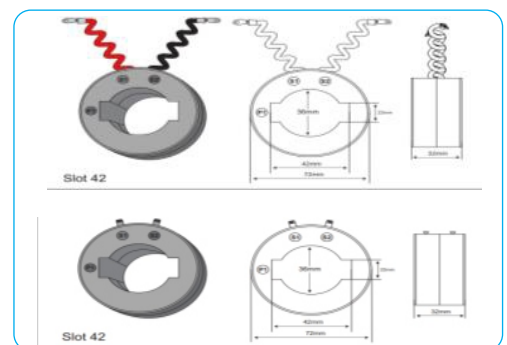
### Current Transformer - Ring type Moulded ID 30

CT Ratio Primary/Secondary/ Current	Dimension(MM)			Class 0.5	Class 1
	ID	OD	H	VA	VA
100/5	30	67	50	5	5
125/5	30	67	50	5	5
150/5	30	67	50	5	5
200/5	30	67	50	5	5
250/5	30	67	50	5	5
300/5	30	67	50	5	5
400/5	30	67	50	5	5



### Current Transformer - Ring type Moulded ID 42

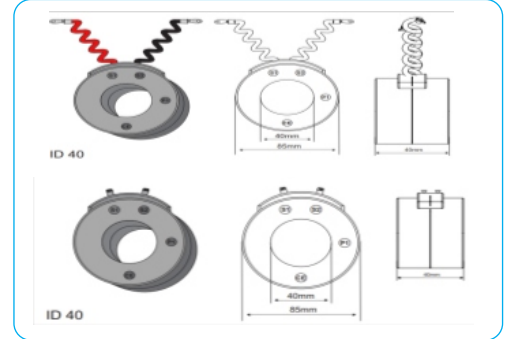
CT Ratio Primary/Secondary/ Current	Dimension(MM)			Class 0.5	Class 1
	ID	OD	H	VA	VA
200/5	42 (Slot)	70	32	5	5
250/5	42 (Slot)	70	32	5	5
300/5	42 (Slot)	70	32	5	5
400/5	42 (Slot)	70	32	5	5



## Current Transformer

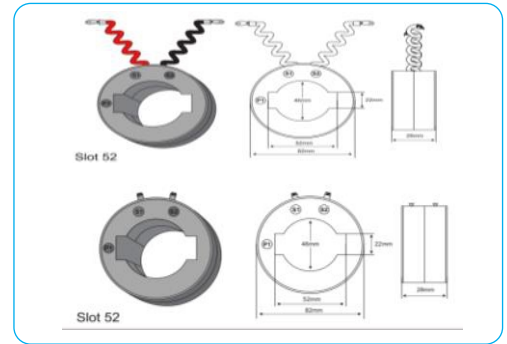
### Current Transformer - Ring type Moulded ID 40

CT Ratio Primary/Secondary/ Current	Dimension(MM)			Class 0.5	Class 1
	ID	OD	H	VA	VA
200/5	40	77	45	5	5
250/5	40	77	45	5	5
300/5	40	77	45	5	5
400/5	40	77	45	5	5



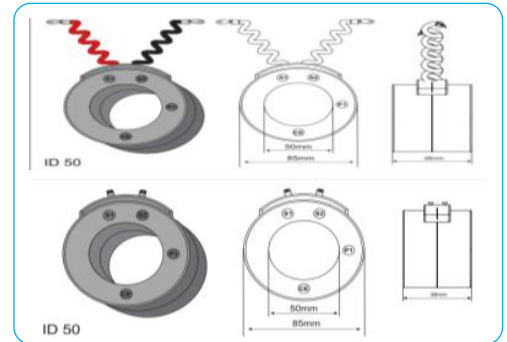
### Current Transformer - Ring type Moulded ID 52

CT Ratio Primary/Secondary/ Current	Dimension(MM)			Class 0.5	Class 1
	ID	OD	H	VA	VA
250/5	52 Slot	82	26	10	10
250/5	52 Slot	82	26	15	15
300/5	52 Slot	82	26	10	10
300/5	52 Slot	82	26	15	15
400/5	52 Slot	82	26	15	15



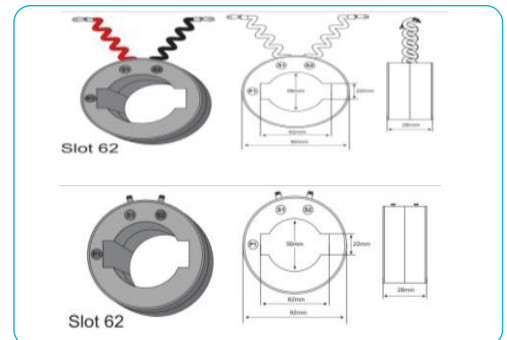
### Current Transformer - Ring type Moulded ID 50

CT Ratio Primary/Secondary/ Current	Dimension(MM)			Class 0.5	Class 1
	ID	OD	H	VA	VA
250/5	50	80	40	15	15
250/5	50	80	40	15	15
300/5	50	80	40	15	15
300/5	50	80	40	15	15
400/5	50	80	40	15	15



### Current Transformer - Ring type Moulded ID 62

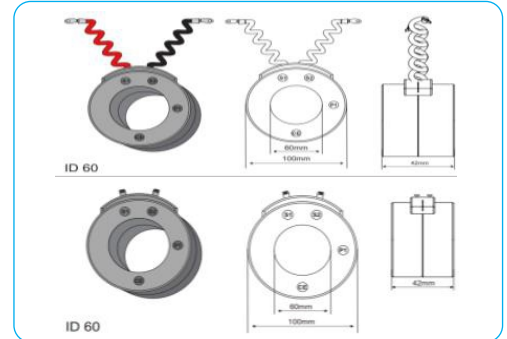
CT Ratio Primary/Secondary/ Current	Dimension(MM)			Class 0.5	Class 1
	ID	OD	H	VA	VA
300/5	62 (Slot)	92	26	15	15
400/5	62 (Slot)	92	26	15	15
500/5	62 (Slot)	92	26	15	15
600/5	62 (Slot)	92	26	15	15
800/5	62 (Slot)	92	26	15	15



## Current Transformer

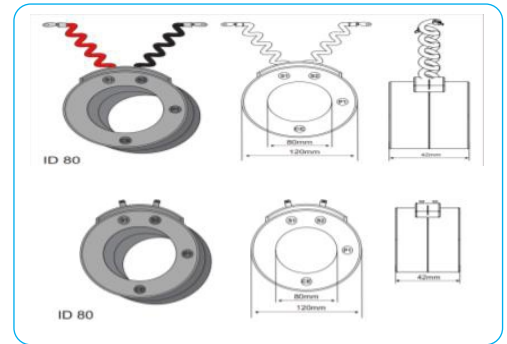
### Current Transformer - Ring type Moulded ID 60

CT Ratio Primary/Secondary/ Current	Dimension(MM)			Class 0.5	Class 1
	ID	OD	H	VA	VA
300/5	60	100	42	15	15
400/5	60	100	42	15	15
500/5	60	100	42	15	15
600/5	60	100	42	15	15
800/5	60	100	42	15	15



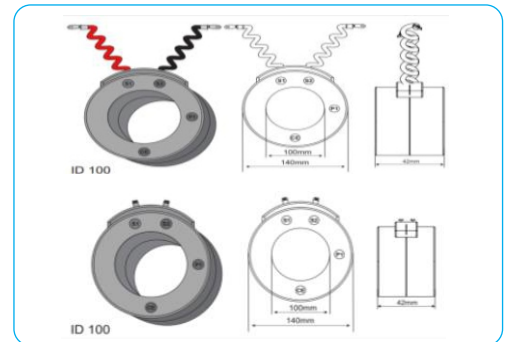
### Current Transformer - Ring type Moulded ID 80

CT Ratio Primary/Secondary/ Current	Dimension(MM)			Class 0.5	Class 1
	ID	OD	H	VA	VA
600/5	80	120	42	15	15
700/5	80	120	42	15	15
800/5	80	120	42	15	15
1000/5	80	120	42	15	15
1200/5	80	120	42	15	15



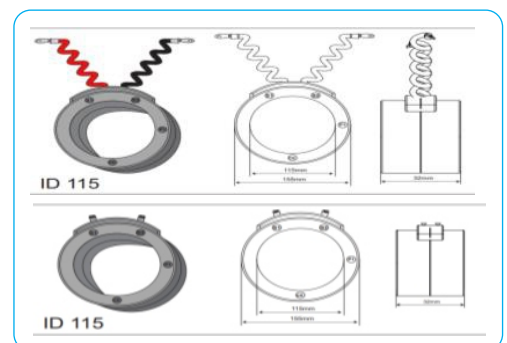
### Current Transformer - Ring type Moulded ID 100

CT Ratio Primary/Secondary/ Current	Dimension(MM)			Class 0.5	Class 1
	ID	OD	H	VA	VA
800/5	100	137	42	15	15
1000/5	100	137	42	15	15
1200/5	100	137	42	15	15
1250/5	100	137	42	15	15
1600/5	100	137	42	15	15



### Current Transformer - Ring type Moulded ID 115

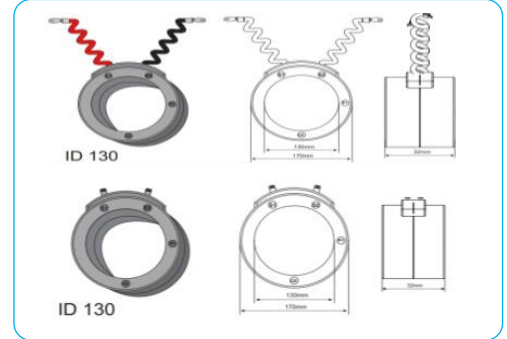
CT Ratio Primary/Secondary/ Current	Dimension(MM)			Class 0.5	Class 1
	ID	OD	H	VA	VA
1000/5	115	152	32	15	15
1200/5	115	152	32	15	15
1250/5	115	152	32	15	15
1600/5	115	152	32	15	15
2000/5	115	152	32	15	15



## Current Transformer

### Current Transformer - Ring type Moulded ID 130

CT Ratio Primary/Secondary/ Current	Dimension(MM)			Class 0.5	Class 1
	ID	OD	H	VA	VA
1600/5	130	170	32	15	15
2000/5	130	170	32	15	15
2500/5	130	170	32	15	15
3200/5	130	170	32	15	15
4000/5	130	170	32	15	15



### Current Transformer - Ring type Moulded ID 150

CT Ratio Primary/Seco	Dimension(MM)			Class 0.5	Class 1
	ID	OD	H	VA	VA
2500/5	150	195	20	15	15
3200/5	150	195	20	15	15
4000/5	150	195	20	15	15
5000/5	150	195	20	15	15
6000/5	150	195	20	15	15

### Current Transformer - Ring type Moulded ID 180

CT Ratio Primary/Seco	Dimension(MM)			Class 0.5	Class 1
	ID	OD	H	VA	VA
3200/5	180	205	18	15	15
4000/5	180	205	18	15	15
5000/5	180	205	18	15	15
6000/5	180	205	18	15	15

### Current Transformer - Ring type Moulded ID 200

CT Ratio Primary/Seco ndary/ Current	Dimension(MM)			Class 0.5	Class 1
	ID	OD	H	VA	VA
3200/5	200	230	16	15	15
4000/5	200	230	16	15	15
5000/5	200	230	16	15	15
6000/5	200	230	16	15	15